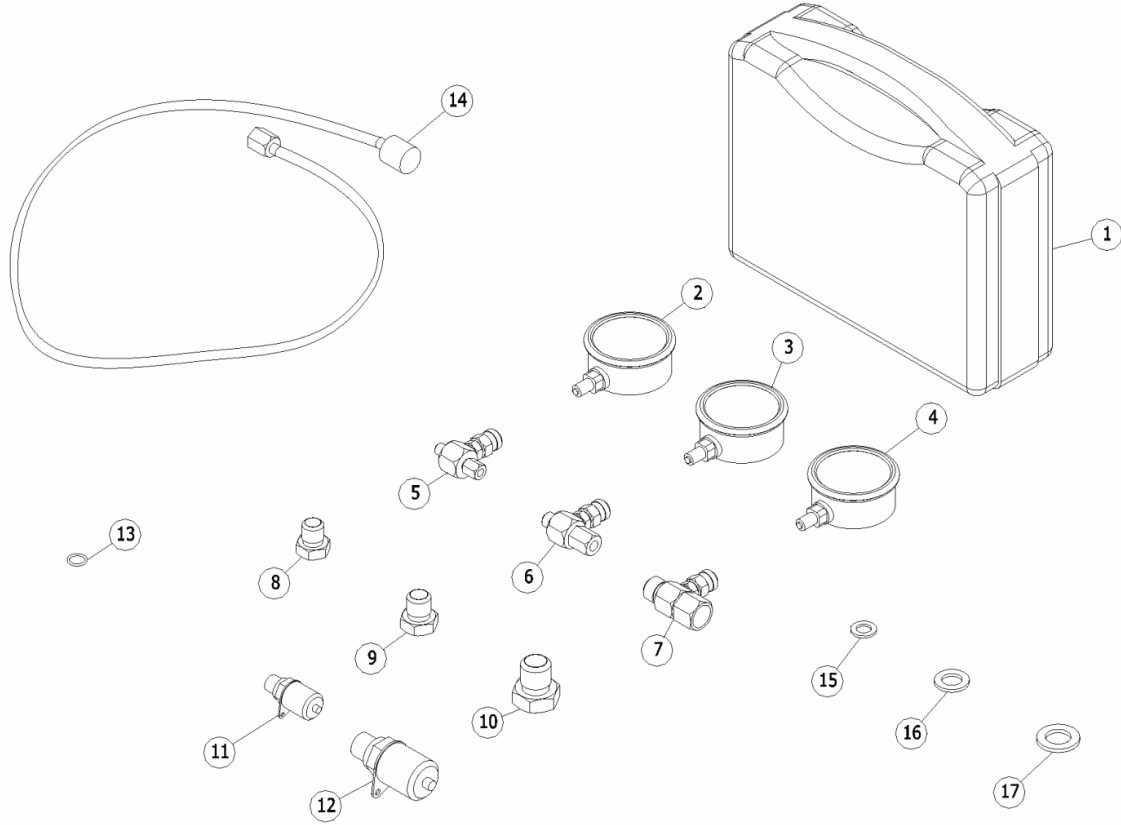


**Model:Tools and Test Equipment**  
**Chapter 1 01. Pressure Test Kit**

**TTEA010**  
**Pressure Test Kit**

TTEA010 - Pressure Test Kit			
Pos	Part No	Description	Quantity
1	500.999.0162	Pressure Test Kit	1
2	500.999.0171	Charge Pressure Test Gauge 0-	1
3	500.999.0172	Hydraulic Cylinder Test Gauge C	1
4	500.999.0173	Transmission Test Gauge 0-600	1
5	530.999.0045	7/16" JIC M/F Test Point	1
6	530.999.0046	9/16" JIC M/F Test Point	1
7	530.999.0047	7/8" JIC M/F Test Point	1
8	251059	7/16" Male Plug	1
9	530.999.0066	9/16" Male Plug	1
10	530.999.0067	7/8" Male Plug	1
11	530.059.0010	9/16" Test Point	1
12	530.059.0019	M12 Test Point	1
13	519.999.0025	Pressure Test Kit O-Ring	10
14	507.999.0020	Test Hose	2
15	519.055.0066	1/4" Bond Seal	1
16	519.055.0064	3/8" Bond Seal	1
17	519.055.0067	1/2" Bond Seal	1



Pressure Test Kit - TTEA010